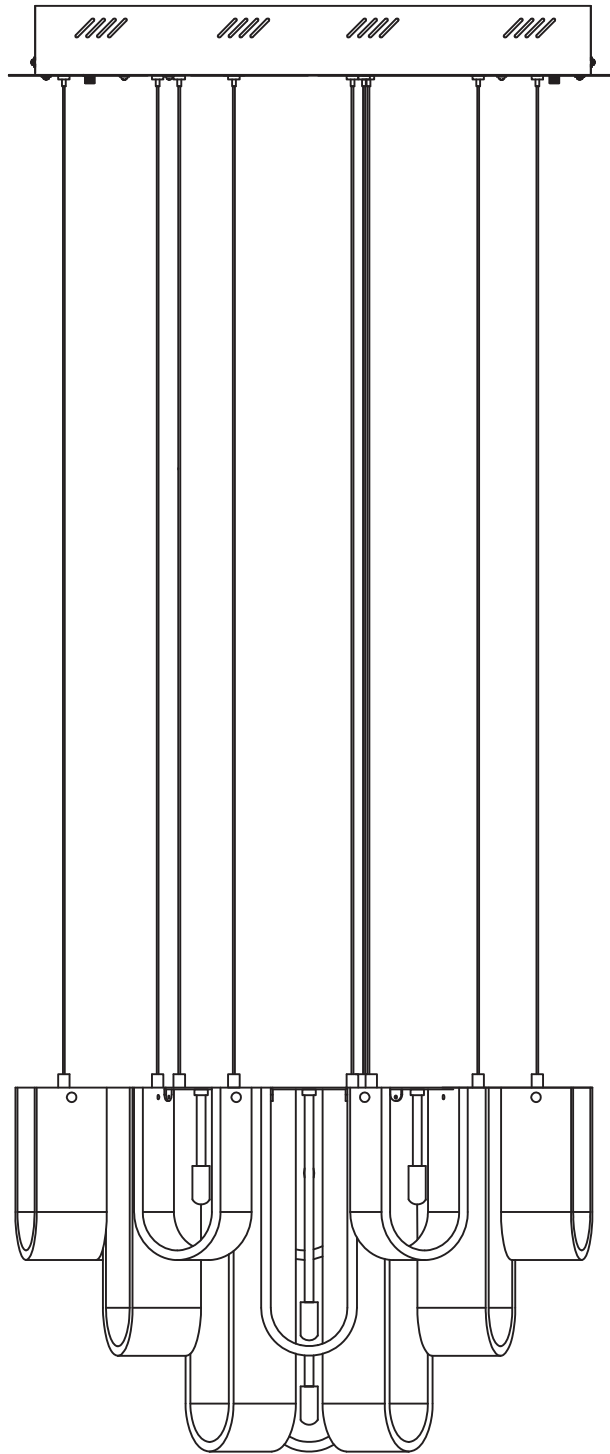




# 15-LIGHT PENDANT

MODEL #83094

Français p. 10



**ATTACH YOUR RECEIPT HERE**

**Serial Number** \_\_\_\_\_ **Purchase Date** \_\_\_\_\_

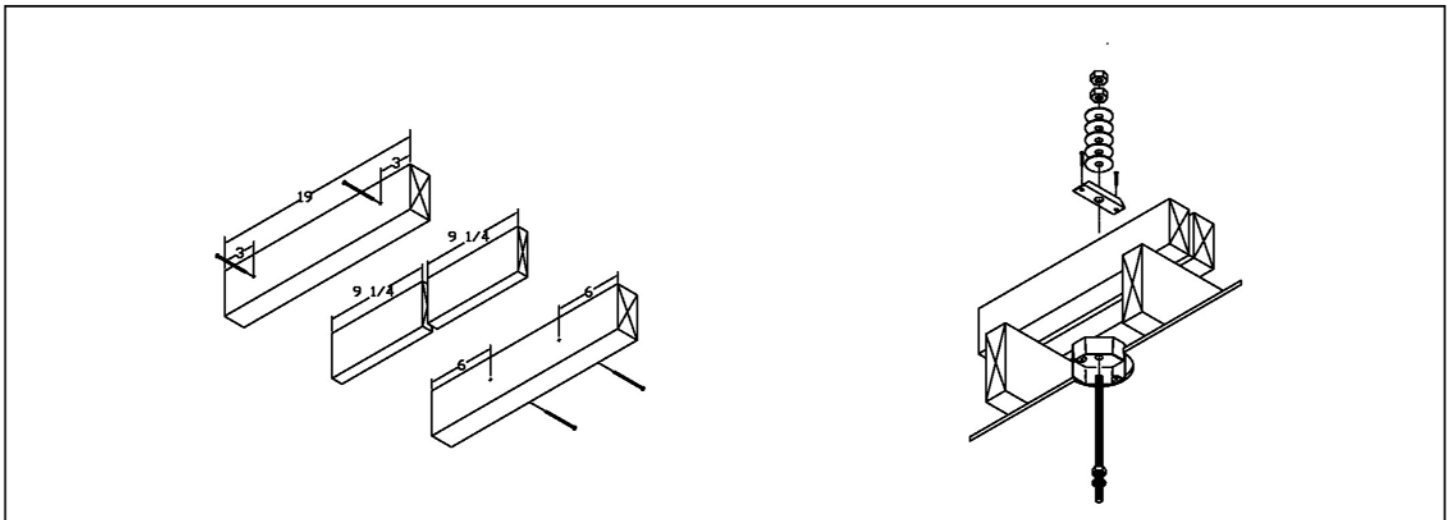
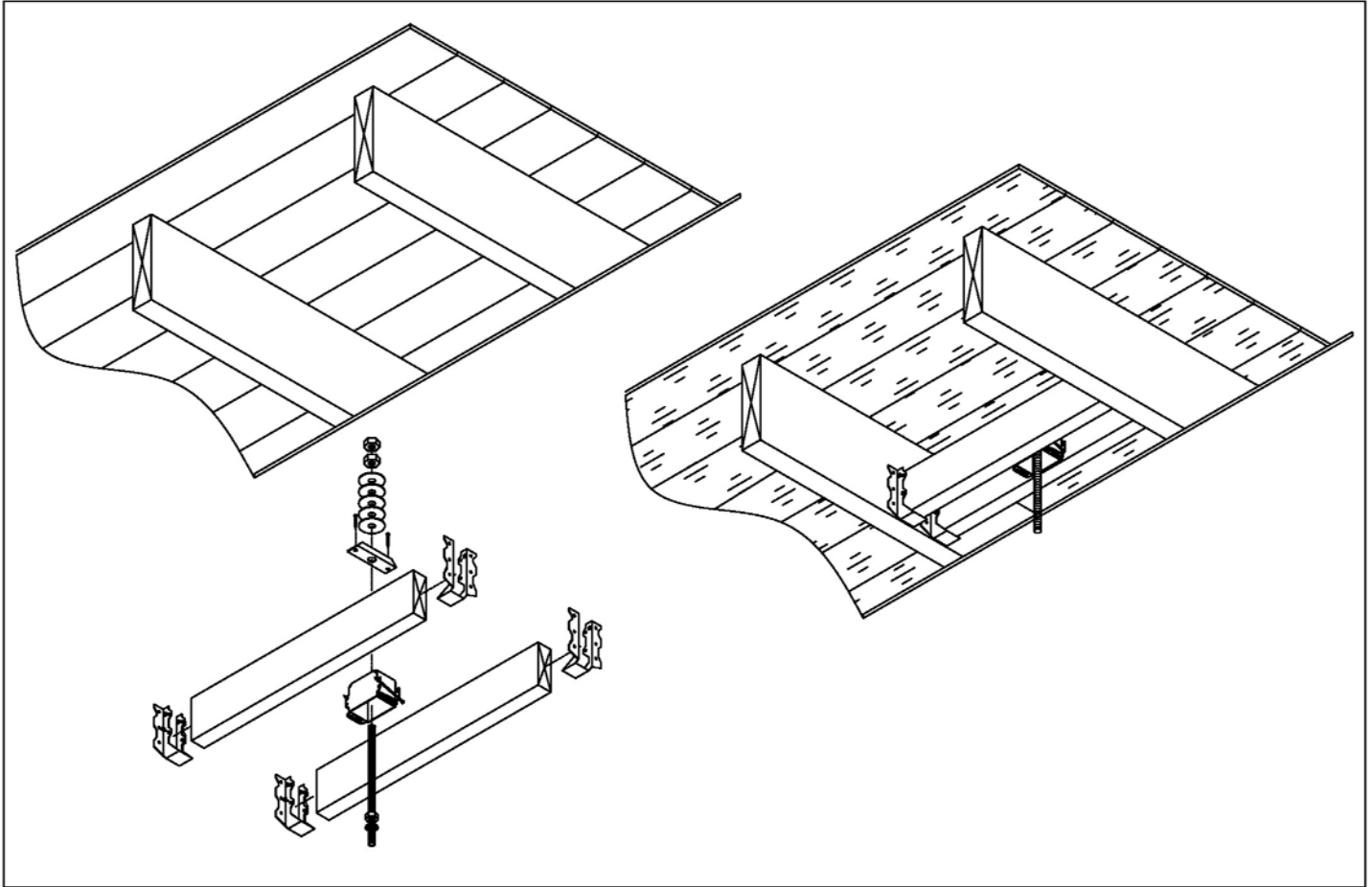


Questions, problems, missing parts? Before returning to your retailer, call our customer service department at **1-855-226-7169**, 8 a.m. - 4 p.m., EST, Monday - Friday.

**WARNING: TO ENSURE PERSONAL SAFETY AND TO PREVENT DAMAGE TO YOUR HOME, CONSULT A QUALIFIED BUILDER OR ARCHITECT BEFORE INSTALLING A FIXTURE HEAVIER THAN 50 LBS. TO THE JOIST OR TRUSS SYSTEM OF YOUR HOME.**

**NOTE:** NEC CODE (314.24) requires that ceiling outlet boxes in the United States support up to 50 lbs. This fixture exceeds 50 lbs. and must be installed using an outlet box U.L. approved for up to 100 lbs. (Illustration 1A) and installed to manufacturer's specifications or independently (Illustration 1B) of the existing outlet box. Installation hardware and instructions are provided for both.

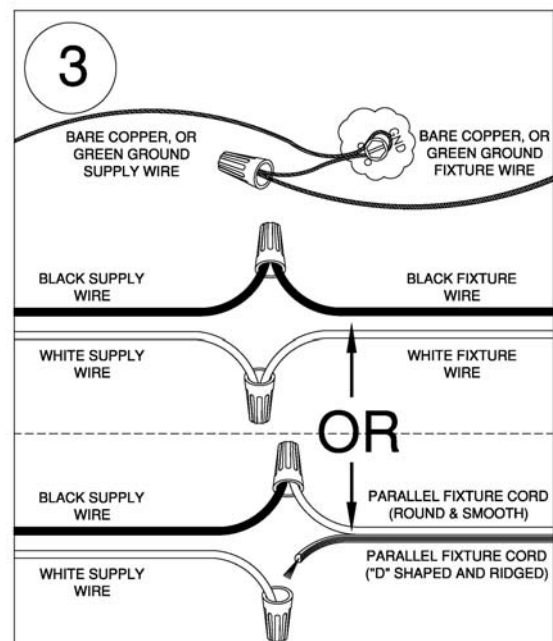
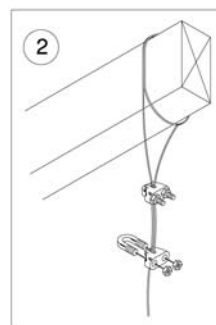
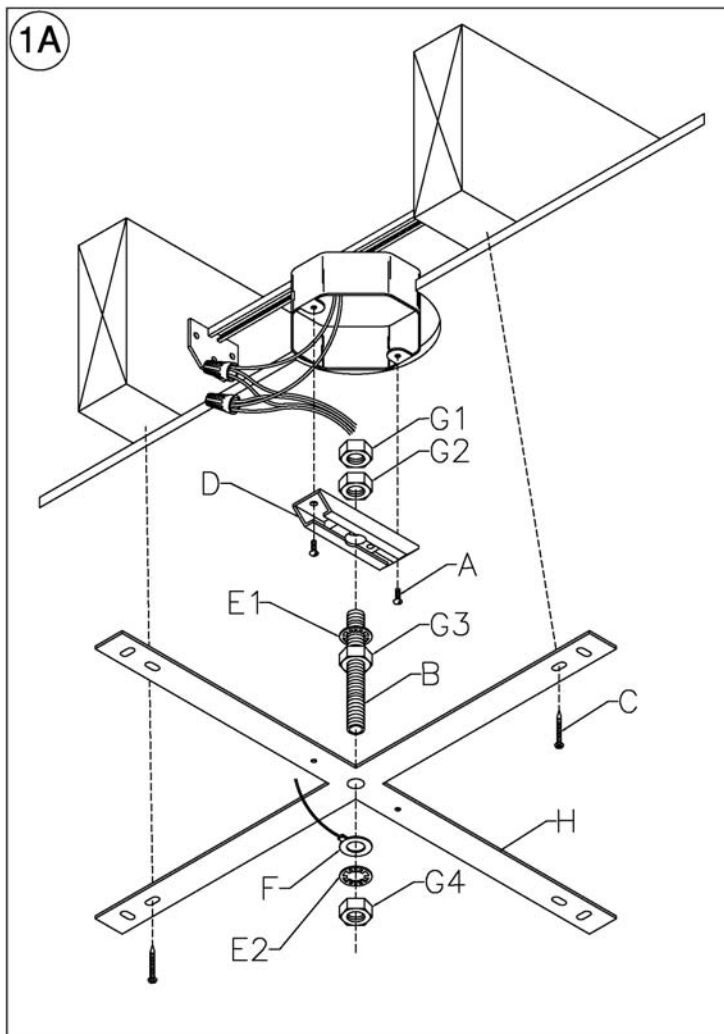
**BELOW ARE TWO SUGGESTED METHODS FOR JOIST 16" ON CENTER WITH FIXTURE CENTERED BETWEEN JOISTS, AS SHOWN.**



## FIXTURES NOT EXCEEDING 100LBS. AND MOUNTING TO A 100LB MAX. APPROVED OUTLET BOX.

**NOTE:** NEC CODE (314.24) requires that ceiling outlet boxes in the United States support up to 50 lbs. This fixture exceeds 50 lbs. and must be installed using an outlet box U.L. approved for up to 100 lbs. (Illustration 1A) and installed to manufacturer's specifications or independently (Illustration 1B) of the existing outlet box. Installation hardware and instructions are provided for both.

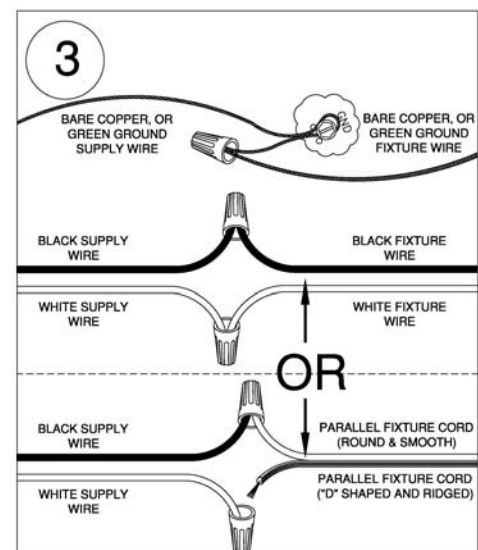
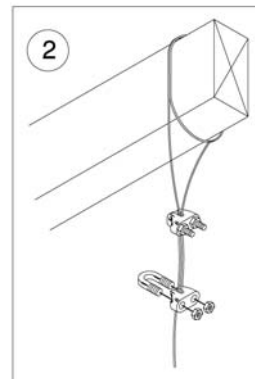
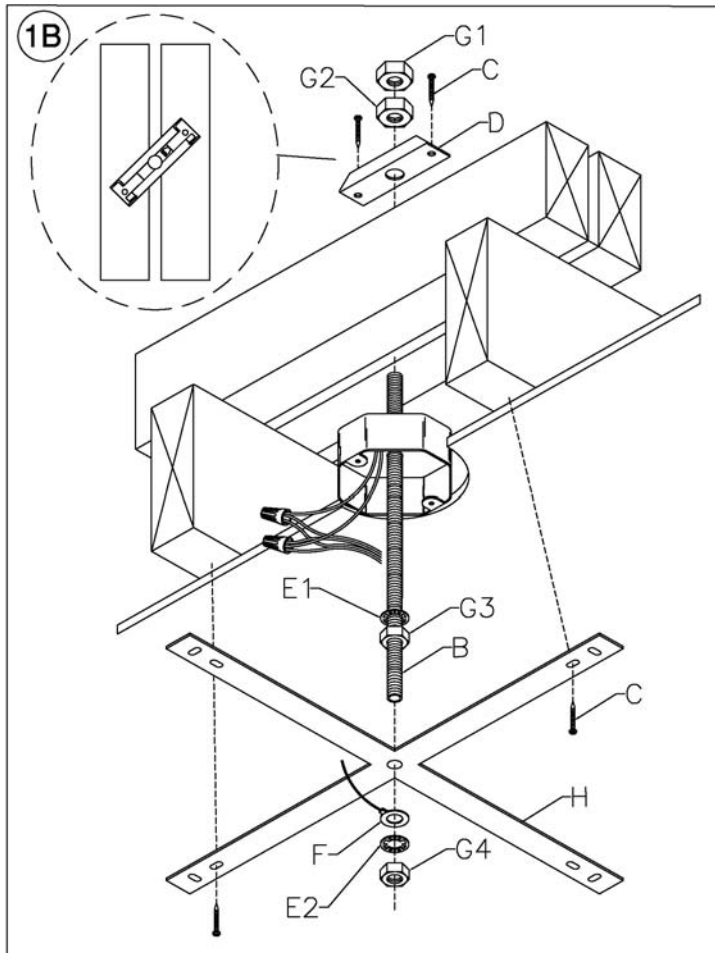
- 1) Turn off power.
- 2) If fixture is provided with a safety cable it must pass through outlet box. drill 3/16" diameter hole in outlet box if no other holes are available.
- 3) Pass mounting strap (D) over 1/2-13UNC threaded rod (B) and screw 2- hexnuts (G1 & G2) onto top end of threaded rod (B).
- 4) Tighten anti-rotational hex screw located next to center hole inside mounting strap (D) with provided wrench. **NOTE:** Mounting strap (D) must be secured to prevent rotation of threaded rod (B).
- 5) Screw lockwasher (E1) and hexnut (G3) onto threaded rod (B) and tighten against bottom of mounting strap (D).
- 6) Trial fit mounting strap (D) and assembled parts to outlet box. Pass fixture mounting bracket (H) over bottom of threaded rod (B). Threaded rod (B) should be cut to a length that extends 3/4" [2cm] past the mounting bracket (H).
- 7) Attach mounting strap (D) and assembled parts to outlet box using 8/32 X 1/2" mounting screws (A).
- 8) Pass fixture mounting bracket (H) over bottom of threaded rod (B).
- 9) Pass ground lug (F) and lockwasher (E2) over threaded rod (B) and secure in place with hexnut (G4).
- 10) Attach mounting bracket (H), where possible, to ceiling joist or truss with screws (C).
- 11) Proceed to instructions provided with fixture pertaining to fixture assembly and return to step 12 below.
- 12) Pass safety cable (if provided) through hole and in area above outlet box wrap cable around outlet box brace and pull cable taut. Secure cable with (2) clamps provided. See (Illustration 2) **NOTE: Cable is not to be used as the only means of fixture support. Please follow independent mounting instructions completely.**
- 13) Connect fixture ground wire and ground lug (F) to outlet box ground wire with wire connector. Never connect ground wire to black or white power supply wires.
- 14) Make wire connections (connectors not provided). See (Illustration 3) for correct connections and wire accordingly.



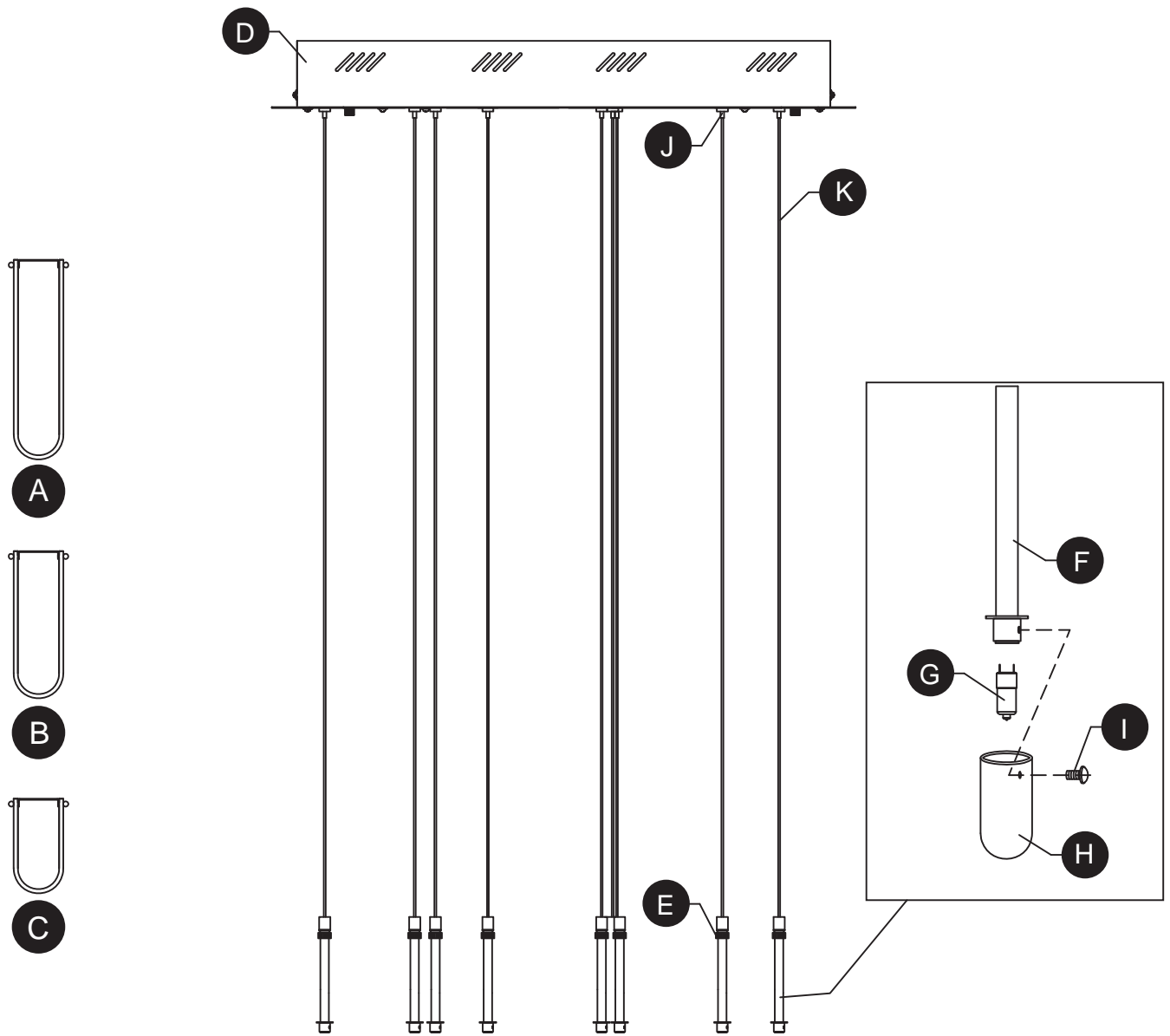
## FIXTURES NOT EXCEEDING 100LBS. AND USING A STANDARD OUTLET BOX

**NOTE:** NEC CODE (314.24) requires that ceiling outlet boxes in the United States support up to 50 lbs. This fixture exceeds 50 lbs. and must be installed using an outlet box U.L. approved for up to 100 lbs. (Illustration 1A) and installed to manufacturer's specifications or independently (Illustration 1B) of the existing outlet box. Installation hardware and instructions are provided for both.

- 1) Turn off power.
- 2) If fixture is provided with a safety cable it must pass through outlet box. drill 3/16" diameter hole in outlet box if no other holes are available.
- 3) Remove knockout in top of outlet box.
- 4) Pass mounting strap (D) over 1/2-13UNC threaded rod (B) and screw 2- hexnuts (G1 & G2) onto top end of threaded rod (B).
- 5) In area above outlet box pass threaded rod (B) through hole in center of outlet box.
- 6) Lay a 2x4x19" long pine board across 16" on center ceiling joists, one on either side of threaded rod (B).
- 7) Secure 2x4's in place by toe-nailing or other means.
- 8) Trial fit mounting strap (D) and assembled parts through support 2x4's and outlet box. Pass fixture mounting bracket (H) over bottom of threaded rod (B). Threaded rod (B) should be cut to a length that extends 3/4" [2cm] past the mounting bracket (H).
- 9) Tighten anti-rotational hex screw located next to center hole inside mounting strap (D) with provided wrench. **NOTE:** Mounting strap (D) must be secured to prevent rotation of threaded rod (B).
- 10) Attach mounting strap (D) and assembled parts to support 2x4's with screws (C).
- 11) Screw lockwasher (E1) and hexnut (G3) onto threaded rod (B) and tighten against bottom of outlet box..
- 12) Pass fixture mounting bracket (H) over bottom of threaded rod (B).
- 13) Pass ground lug (F) and lockwasher (E2) over threaded rod (B) and secure in place with hexnut (G4).
- 14) Attach mounting bracket (H), where possible, to ceiling joist or truss with screws (C).
- 15) Proceed to instructions provided with fixture pertaining to fixture assembly and return to step 16 below.
- 16) Pass safety cable (if provided) through hole and in area above outlet box wrap cable around outlet box brace and pull cable taut. Secure cable with (2) clamps provided. See (Illustration 2) **NOTE: Cable is not to be used as the only means of fixture support. Please follow independent mounting instructions completely.**
- 17) Connect fixture ground wire and ground lug (F) to outlet box ground wire with wire connector. Never connect ground wire to black or white power supply wires.
- 18) Make wire connections (connectors not provided). See (Illustration 3) for correct connections and wire accordingly.



**PACKAGE CONTENTS**



PART	DESCRIPTION	QUANTITY
A	15 Inch Tall Glass Shade	3
B	11 Inch Tall Glass Shade	6
C	7 Inch Tall Glass Shade	6
D	Canopy	1
E	Threaded Nut	15
F	Socket Assembly	15
G	20-Watt G4 Bulb	15
H	Bulb Cover	15
I	Bulb Cover Screw	15
J	Compression Fitting	15
K	Cable	15

## HARDWARE CONTENTS

---

AA



Wire  
Connector  
Qty: 3

BB



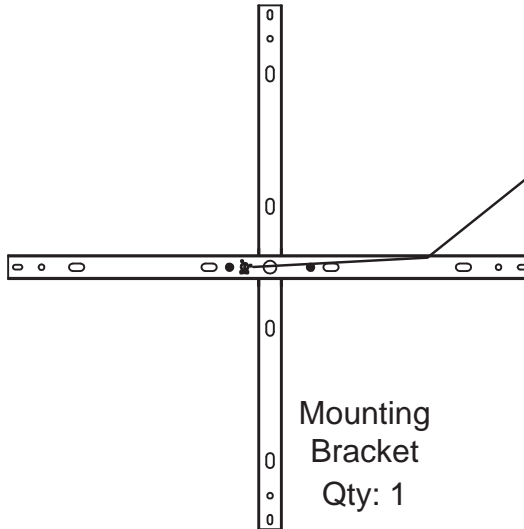
Short  
Machine  
Screw  
Qty: 2

CC



Anchor  
Qty: 12

DD



Mounting  
Bracket  
Qty: 1

EE

Ground  
Screw  
Qty: 1

FF



Threaded  
Knob  
Qty: 4

GG



Anchor  
Screw  
Qty: 12



### SAFETY INFORMATION

---

Please read and understand this entire manual before attempting to assemble, operate or install the product.



### WARNING

- **IMPORTANT:** NEVER attempt any work without shutting off the electricity.
- Go to the main fuse box, or circuit breaker, in your home. Place the main power switch in the "OFF" position and unscrew the fuse(s), or switch "OFF" the circuit breaker switch(es), that control the power to the fixture or room that you are working on.
- Place the wall switch in the "OFF" position. If the fixture to be replaced has a switch or pull chain, place it in the "OFF" position.
- Do not use bulbs with wattage greater than specified on this fixture.
- **WARNING:** California Prop. 65: This lighting fixture contains chemicals known to the state of California to cause cancer, birth defects, and/or other reproductive harm. Wash hands after use.

**CAUTION**

- Read and understand all instructions and illustrations completely before proceeding with assembly and installation of this fixture.
- If you have any doubts about how to install this lighting fixture, or if the fixture fails to operate completely, please contact a licensed electrical contractor.
- All parts must be used as indicated in these instructions. Do not substitute any parts, leave parts out, or use any parts that are worn out or broken. Failure to obey this instruction could invalidate the ETL listing and/or C.S.A. certification of this fixture.

**PREPARATION**

Before beginning assembly of product, make sure all parts are present. Compare parts with package contents list. If any part is missing or damaged, do not attempt to assemble the product.

**Estimated assembly time: 30 minutes to 1 hour**

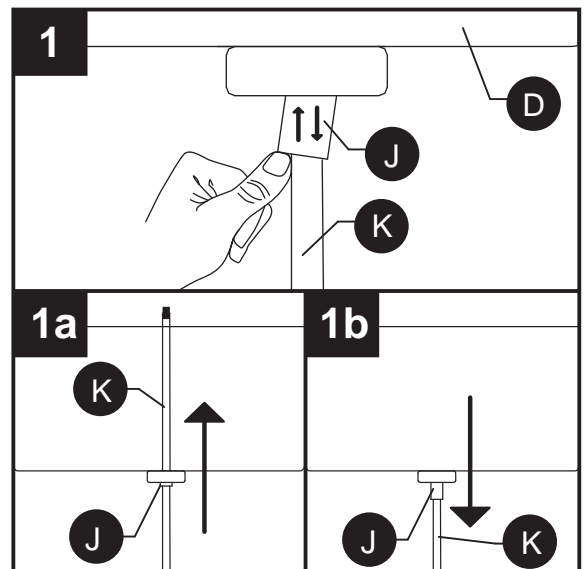
Tools Required for Assembly (not included): Phillips screwdriver, flathead screwdriver, wire strippers, electrical tape, ladder, safety glasses, drill and 9/32 drill bit.

**ASSEMBLY INSTRUCTIONS**

**WARNING: This fixture exceeds 50 lbs. and must be installed using an outlet box U.L. approved for up to 100 lbs. or, if such a box is not installed, the fixture must be mounted independently of the existing outlet box. Installation hardware and instructions are provided for both. Complete the steps from the supplemental instructions for mounting heavy fixtures before continuing with the instructions specific to this fixture.**

1. The hanging length of the cable (K) for this fixture is adjustable. Hold the fixture canopy (D) up against the ceiling to determine the desired length before the entire fixture is assembled.

The cable (K) is held in place by a compression fitting (J). Push up, and hold, the fitting's spring loaded tube (J) to release the cable (K) for adjustment.



## 2. Wire connection guide:

### Ground wire:

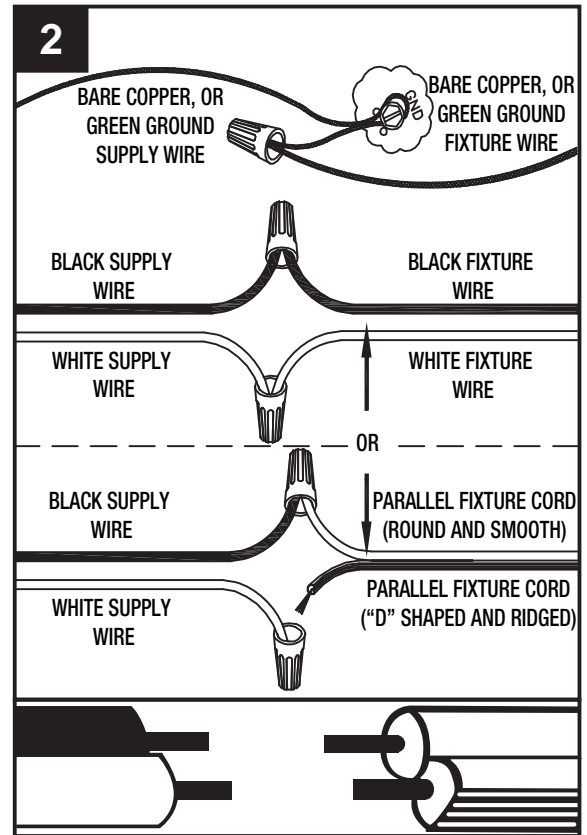
- For installation in the United States: Wrap ground wire from outlet box around ground screw (EE) on mounting bracket (DD) no less than 2 in. from wire end. Tighten ground screw (EE). If fixture is supplied with a ground wire, connect to outlet ground wire with a wire connector (AA).
- For installation in Canada: If fixture is supplied with ground wire, wrap ground wire around ground screw (EE) on mounting bracket (DD). Tighten ground screw (EE).

### Supply wires:

- Connect the Neutral (White) supply wire from the outlet box to the Neutral fixture wire (White or Parallel Cord "D" shaped and ribbed).
- Connect the Hot (Black) supply wire from the outlet box to the Hot fixture wire (Black or Parallel Cord round and smooth).

### NOTE:

Fixture will have 2 wires either Black & White or Parallel Cord SPT-2 lamp wire with one round smooth wire and one "D" shaped ribbed wire.



### Hardware Used

AA Wire Connector



x 3

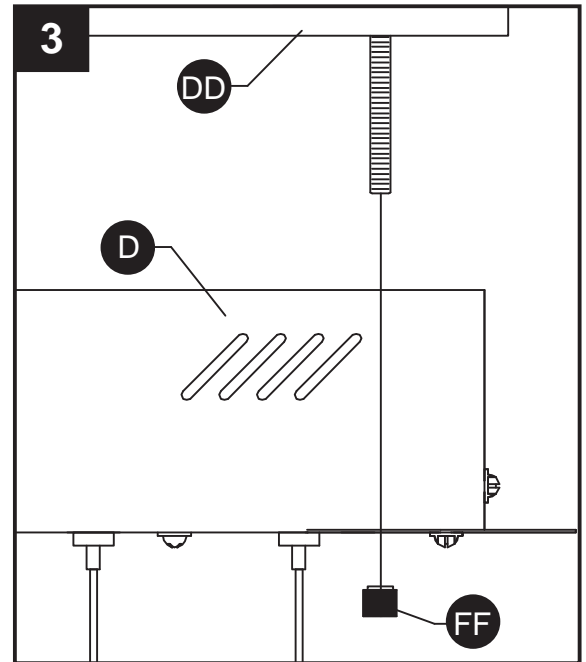


## ASSEMBLY INSTRUCTIONS

- Secure canopy (A) to mounting bracket (DD) with threaded knobs (FF).

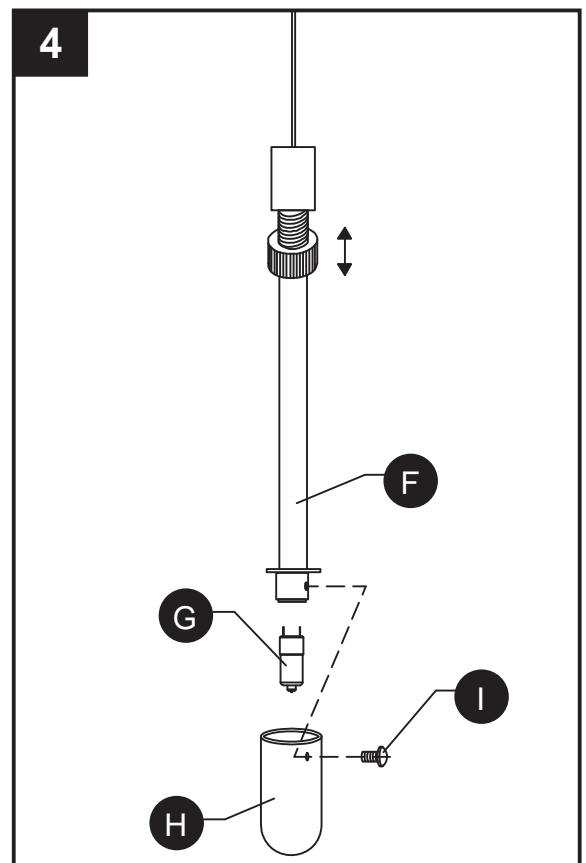
### Hardware Used

**FF** Threaded Knob  x 4



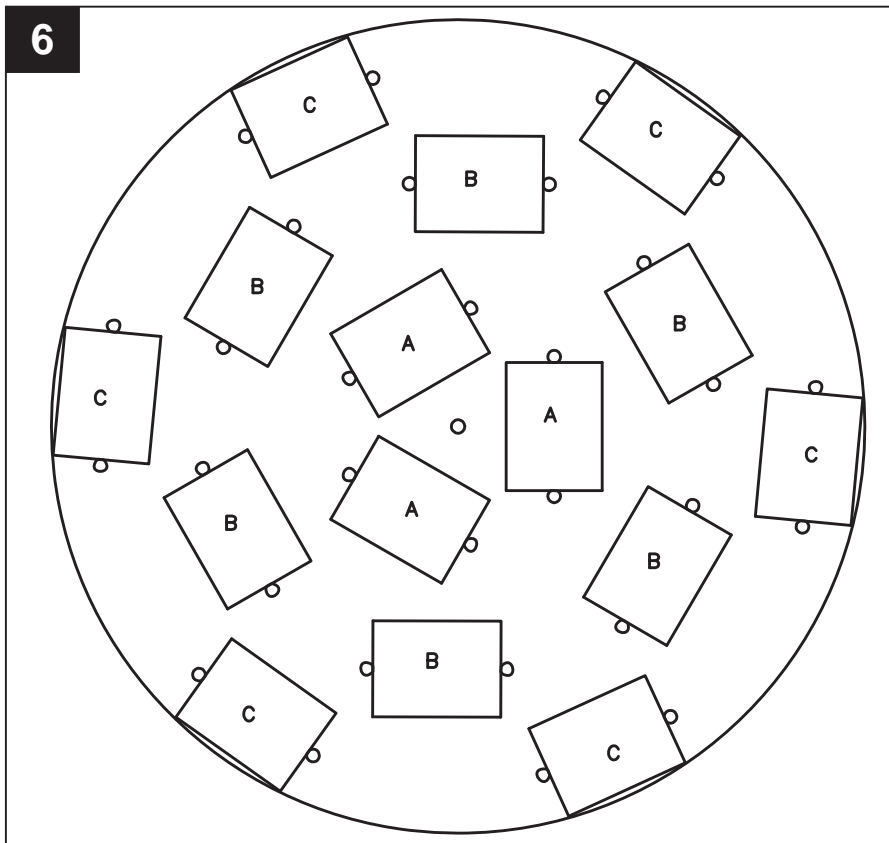
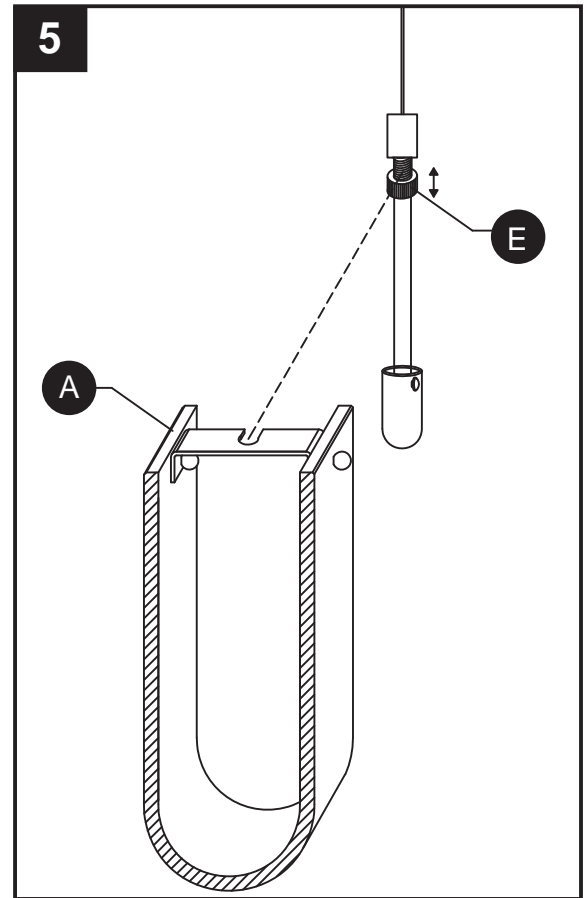
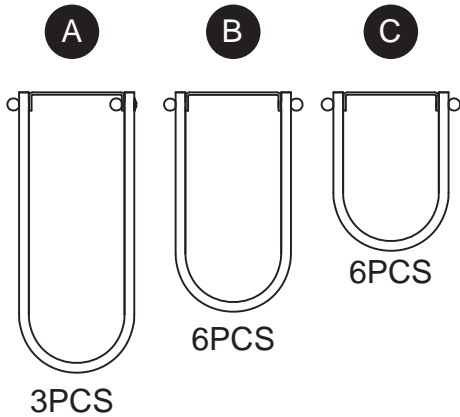
- Insert 20-watt max. G4-base bulb (G) into socket assembly (F). Slide bulb cover (H) onto socket assembly (F) and secure with bulb cover screw (I).

Note: Never touch a halogen light bulb with your bare skin, even when removing the bulb from the package before installing. The oils on your skin will drastically shorten the lifespan of the bulb.



## ASSEMBLY INSTRUCTIONS

5. Lower threaded nut (E). Place glass shade (A) on the threaded post above the threaded nut (E). Tighten threaded nut (E) to secure. Be sure to start with the center glass shade and work your way out.



6. Glass will be marked with a letter. Attached the lettered glass to the corresponding letter found on the canopy.

## CARE AND MAINTENANCE

---

- Always be certain that electric current is turned off before cleaning this item.
- Use a soft, moist cloth with mild non-abrasive soap to clean fixture. Never use glass cleaner on fixture, as it will damage the metal finish.
- All glass shades may be washed in a towel-lined sink with warm water and mild soap. Do not wash shades in an automatic dishwasher.

## TROUBLESHOOTING

---

PROBLEM	POSSIBLE CAUSE	CORRECTIVE ACTION
Fixture does not light.	1. Fixture may be wired incorrectly. 2. Worn or broken bulb.	1. Check wiring. 2. Replace bulb.

## WARRANTY

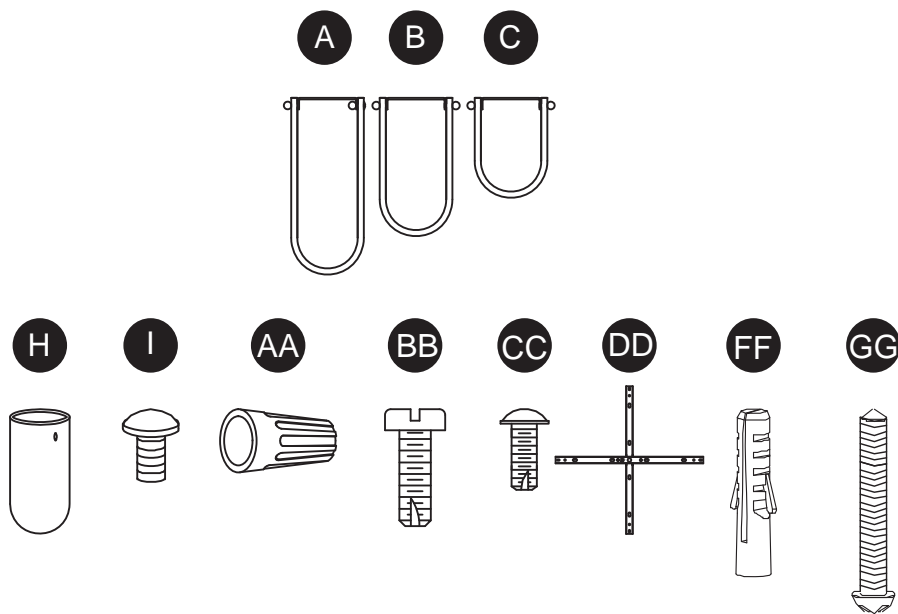
---

Distributor warrants products manufactured by it will be free from defects in material and workmanship for one (1) year following the date of shipment. This warranty does not cover bulbs or finish on outdoor product. If any of the warranted products are found by Distributor to be defective, such products will, at Distributor's option, be replaced or repaired at Distributor's cost. The parties hereto expressly agree that Buyer's sole and exclusive remedy against the Distributor shall be for the repair or replacement of defective products as provided herein, or, at the Distributor's sole option, Distributor may refund the purchase price of the products. THE FOREGOING WARRANTY IS IN LIEU OF ALL OTHER WARRANTIES, EXPRESSED OR IMPLIED, INCLUDING THOSE OF MERCHANTABILITY, FITNESS FOR ANY PARTICULAR PURPOSE OR INFRINGEMENT. No affirmation of Distributor, by words or action, other than set forth in this paragraph shall constitute a warranty. Goods which may be sold by Distributor but which are not manufactured by Distributor are not warranted by Distributor, but are sold only with the warranties, if any, of the manufacturer thereof. This warranty does not cover labor or other costs or expenses to remove or install any defective, repaired or replaced product. Distributor's warranty does not apply to any products that have been subjected to misuse, mishandling, misapplication, neglect (including, but not limited to improper maintenance), accident, improper installation, modification (including, but not limited to use of unauthorized parts or attachments), or adjustment or repair.

# REPLACEMENT PARTS LIST

For replacement parts, call our customer service department at **1-855-226-7169**, 8 a.m. - 4 p.m., EST, Monday - Friday.

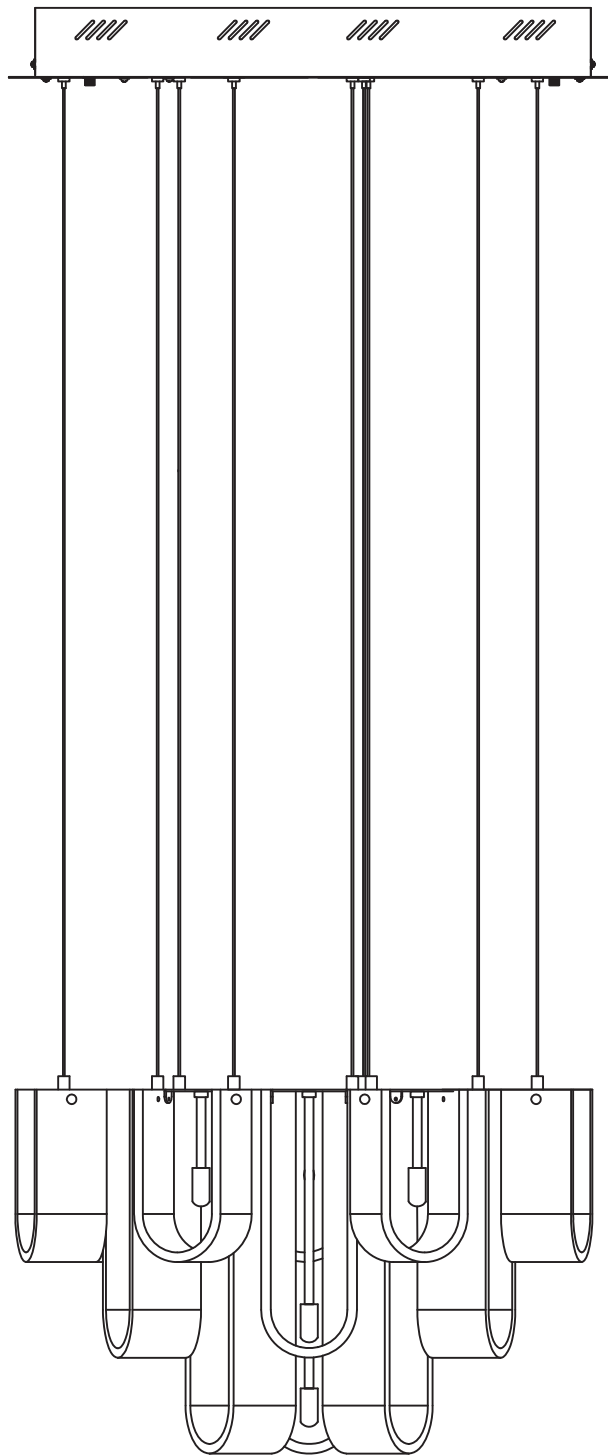
PART	DESCRIPTION	PART #
A	15 Inch Tall Glass	15GLASS
B	11 Inch Tall Glass	11GLASS
C	7 Inch Tall Glass	7GLASS
H	Bulb Cover	BC83094
I	Bulb Cover Screw	BCS83094
AA	Wire Connector	WC001
BB	Short Machine Screw	SCR832X050
CC	Canopy Screw	SC83094
DD	Mounting Bracket	XBAR83094
FF	Anchor	A83094
GG	Anchor Screw	AS83094





# LUMINAIRE SUSPENDU À 15 LUMIÈRES

MODÈLE #83094



JOIGNEZ VOTRE REÇU ICI

Numéro de série \_\_\_\_\_ Date d'achat \_\_\_\_\_

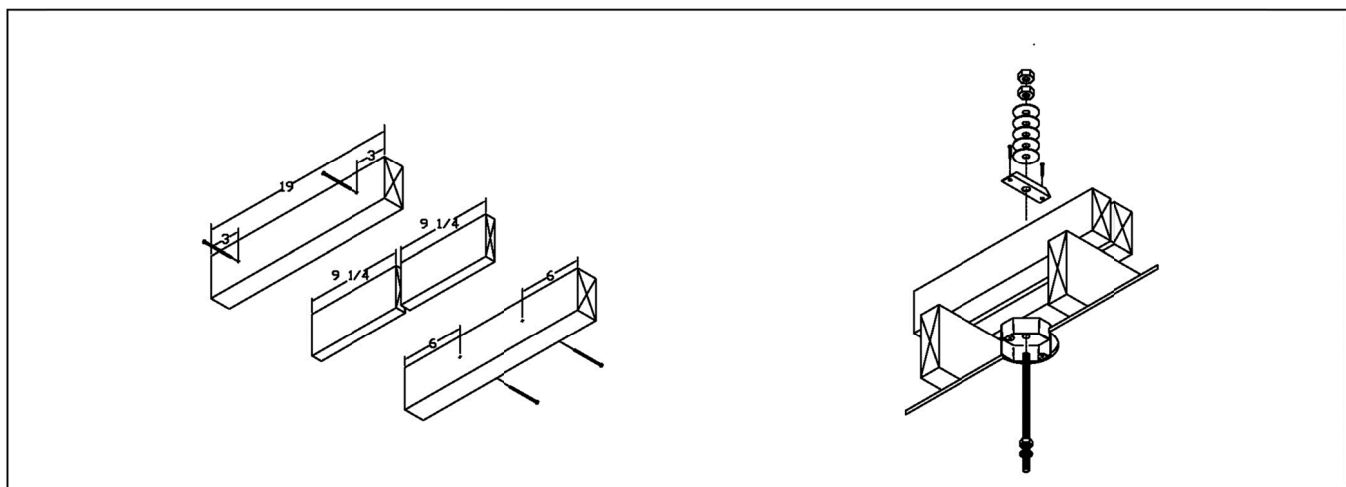
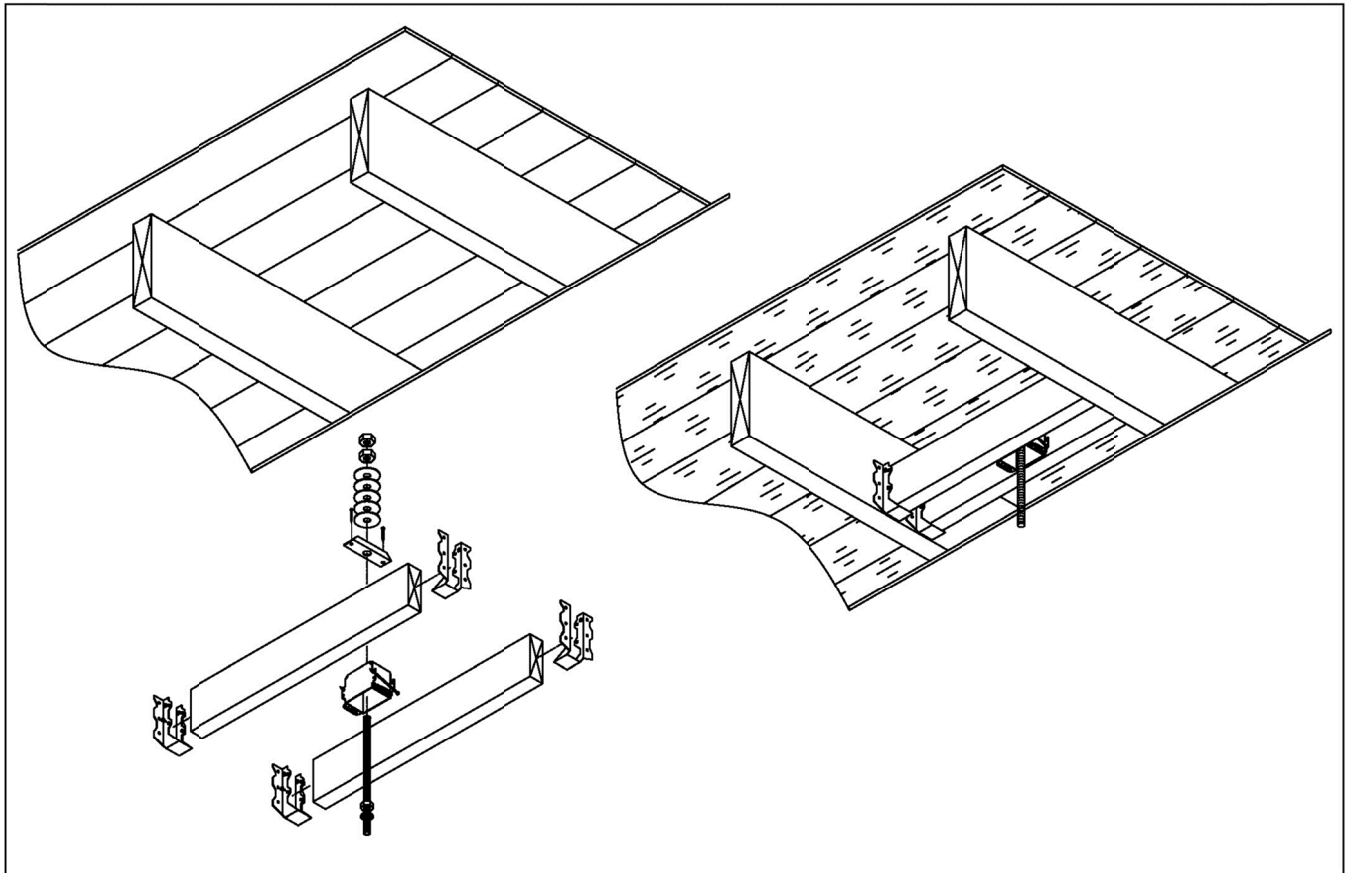


Des questions, des problèmes, des pièces manquantes? Avant de retourner l'article au détaillant, appelez notre service à la clientèle au 1 855 226-7169, entre 8 h et 16 h (HNE), du lundi au vendredi.

**AVERTISSEMENT : POUR GARANTIR LA SÉCURITÉ DES PERSONNES ET ÉVITER LES DOMMAGES À VOTRE LOGEMENT, VEUILLEZ CONSULTER UN CONSTRUCTEUR QUALIFIÉ OU UN ARCHITECTE AVANT D'INSTALLER UN LUMINAIRE DE POIDS SUPÉRIEUR À 50 LB (22 KG) SUR LA STRUCTURE DE SOLIVES ET POUTRELLES PORTEUSES DE VOTRE LOGEMENT.**

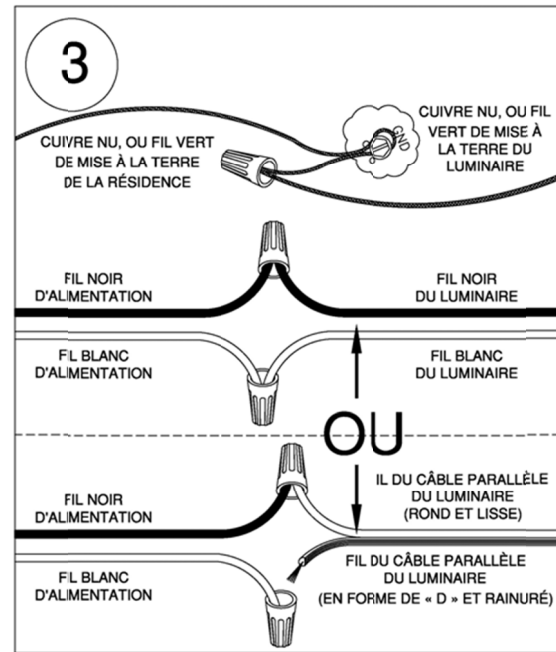
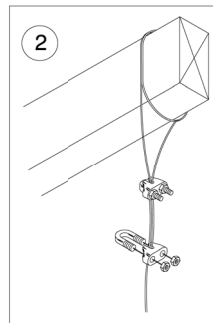
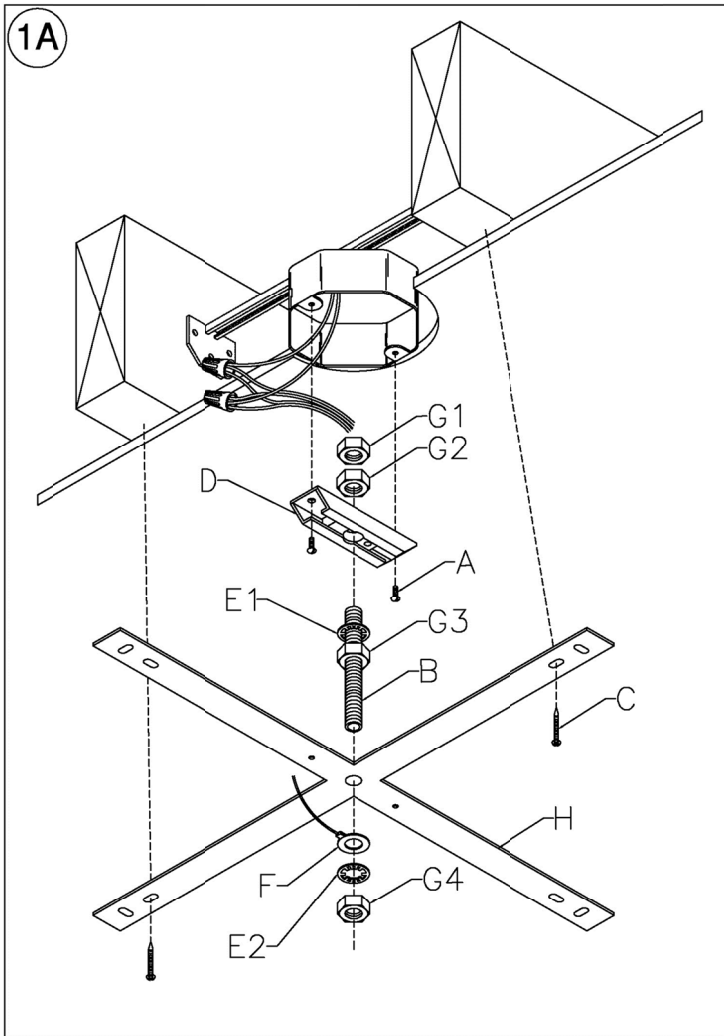
**REMARQUE :** Le CODE NEC 314.24 (code électrique national des États-Unis) exige que les boîtes de sortie de plafond aux États-Unis ne portent pas plus de 50 lb (22 kg). Ce luminaire pèse plus de 50 lb (22 kg) et doit être installé conformément aux spécifications du fabricant en utilisant une boîte de sortie homologuée UL jusqu'à 100 lb (45 kg) (illustration 1A); il peut également être installé indépendamment de la boîte de sortie existante (illustration 1B). Le matériel d'installation et les instructions sont fournis pour les deux cas.

**CI-DESSOUS EST PROPOSÉE DEUX MÉTHODES POUR SOLIVES DISTANTES DE 16 PO (40,6 CM) LES UNES DES AUTRES, AVEC LE LUMINAIRE CENTRÉ ENTRE DEUX SOLIVES, COMME ILLUSTRÉ.**



**LUMINAIRES PESANT MOINS DE 100 LB (45 KG) ET MONTÉS SUR UNE BOÎTE DE SORTIE HOMOLOGUÉE JUSQU'À 100 LB MAX.**

**REMARQUE :** Le CODE NEC 314.24 (code électrique national des États-Unis) exige que les boîtes de sortie de plafond aux États-Unis ne portent pas plus de 50 lb (22 kg). Ce luminaire pèse plus de 50 lb (22 kg) et doit être installé conformément aux spécifications du fabricant en utilisant une boîte de sortie homologuée UL jusqu'à 100 lb (45 kg) (illustration 1A); il peut également être installé indépendamment de la boîte de sortie existante (illustration 1B). Le matériel d'installation et les instructions sont fournis pour les deux cas.



1) Coupez l'électricité.

2) Si le luminaire est fourni avec un câble de sécurité, celui-ci doit passer à travers la boîte de sortie. Percez un trou de 3/16 po de diamètre dans la boîte de sortie si aucun autre trou n'est disponible.

3) Faites passer la bride de montage (D) sur la tige filetée 1/2-13 UNC (B) et vissez 2 écrous hexagonaux (G1 et G2) sur l'extrémité supérieure de la tige filetée (B).

4) Serrez l'écrou hexagonal anti-rotation situé près du trou central à l'intérieur de la bride de montage (D) à l'aide de la clé fournie. **REMARQUE :** La bride de montage (D) doit être fixée pour éviter la rotation de la tige filetée (B).

5) Vissez la rondelle de blocage (E1) et l'écrou hexagonal (G3) sur la tige filetée (B) et serrez contre le bas de la bride de montage (D).

6) Faites un essai d'ajustement de la bride de montage (D) et des pièces assemblées sur la boîte de sortie. Placez le support de fixation du luminaire (H) sur le bas de la tige filetée (B). La tige filetée (B) doit être coupée à une longueur dépassant de 3/4 po (2 cm) le support de fixation (H).

7) Attachez la bride de montage (D) et les pièces assemblées à la boîte de sortie à l'aide des vis de montage 8/32 X 1/2 po (A).

8) Placez le support de fixation du luminaire (H) sur le bas de la tige filetée (B).

9) Placez la cosse de mise à la terre (F) et la rondelle de blocage (E2) sur la tige filetée (B) et fixez-la avec un écrou hexagonal (G4).

10) Attachez le support de fixation (H), là où c'est possible, sur une solive ou une poutrelle de plafond avec des vis (C).

11) Suivez les instructions d'assemblage fournies avec le luminaire et revenez à l'étape 12 ci-dessous.

12) Faites passer le câble de sécurité (si fourni) à travers le trou vers la zone située au-dessus de la boîte de sortie, enroulez le câble autour du support de la boîte de sortie et tendez le câble. Fixez le câble avec (2) colliers fournis. Voir (illustration 2) **REMARQUE : Le câble ne doit pas être utilisé comme le seul moyen de soutien luminaire. Veuillez suivre intégralement les instructions de montage fournies séparément.**

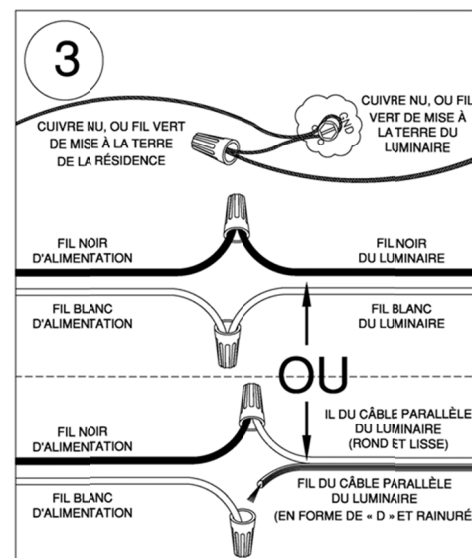
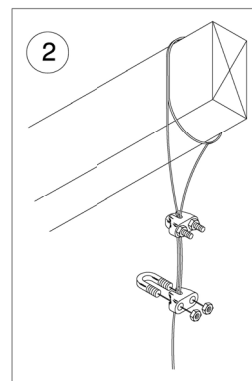
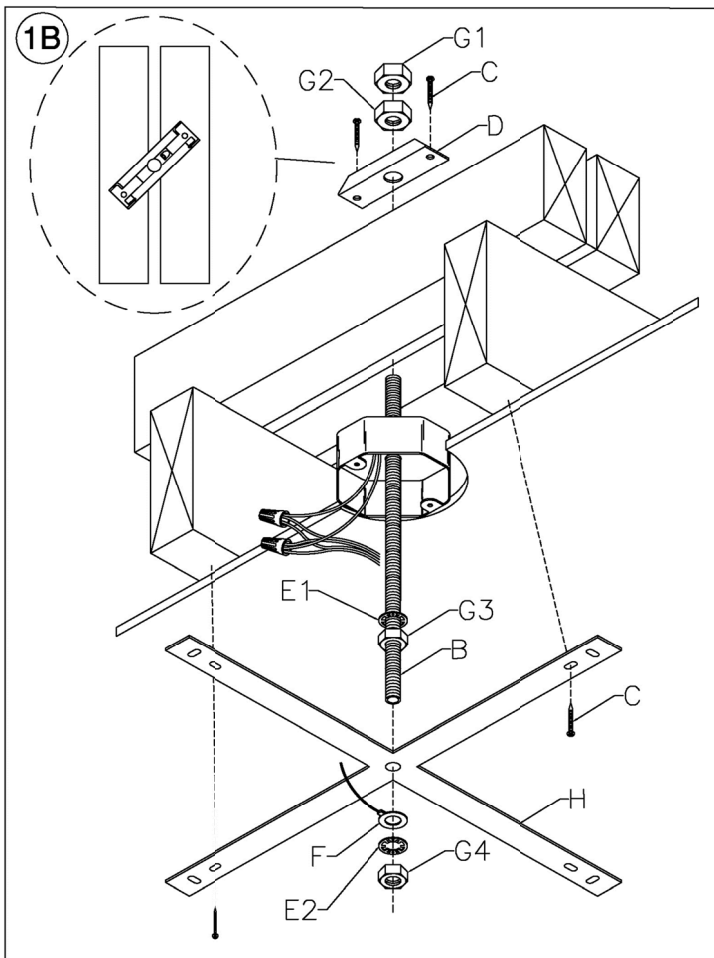
13) Connectez le fil de mise à la terre du luminaire et la cosse de mise à la terre (F) au fil de terre de la boîte de sortie à l'aide d'un capuchon de connexion. Ne connectez jamais le fil de mise à la terre aux fils d'alimentation électrique noir ou blanc.

14) Réalisez les connexions (capuchons de connexion non fournis). Référez-vous à (l'illustration 3) pour réaliser correctement les connexions et câblez en conséquence.



## LUMINAIRES NE DÉPASSANT PAS 100 LB (45 KG) ET UTILISANT UNE BOÎTE DE SORTIE STANDARD

**REMARQUE :** Le CODE NEC 314.24 (code électrique national des États-Unis) exige que les boîtes de sortie de plafond aux États-Unis ne portent pas plus de 50 lb (22 kg). Ce luminaire pèse plus de 50 lb (22 kg) et doit être installé conformément aux spécifications du fabricant en utilisant une boîte de sortie homologuée UL jusqu'à 100 lb (45 kg) (illustration 1A); il peut également être installé indépendamment de la boîte de sortie existante (illustration 1B). Le matériel d'installation et les instructions sont fournis pour les deux cas.



- 1) Coupez l'électricité.
- 2) Si le luminaire est fourni avec un câble de sécurité, celui-ci doit passer à travers la boîte de sortie. Percez un trou de 3/16 po de diamètre dans la boîte de sortie si aucun autre trou n'est disponible.
- 3) Retirez l'alvéole défonçable en haut de la boîte de sortie.
- 4) Faites passer la bride de montage (D) sur la tige filetée 1/2-13 UNC (B) et vissez 2 écrous hexagonaux (G1 et G2) sur l'extrémité supérieure de la tige filetée (B).
- 5) Dans la zone située au-dessus de la boîte de sortie, faites passer la tige filetée (B) à travers le trou du centre de la boîte de sortie.
- 6) Posez deux planches de pin de 2 x 4 x 19 po (5 x 10 x 48 cm) en les centrant perpendiculairement sur les deux solives de plafond (distances de 16 po) situées de part et d'autre de la tige filetée (B).
- 7) Fixez les planches de 2 x 4 po par clouage en biais ou par tout autre moyen.
- 8) Faites un essai de placement de la bride de montage (D) et des pièces assemblées à travers les planches de soutien de 2 x 4 po et la boîte de sortie. Placez le support de fixation du luminaire (H) sur le bas de la tige filetée (B). La tige filetée (B) doit être coupée à une longueur dépassant de 3/4 po (2 cm) le support de fixation (H).
- 9) Serrez l'écrou hexagonal anti-rotation situé près du trou central à l'intérieur de la bride de montage (D) à l'aide de la clé fournie. **REMARQUE :** La bride de montage (D) doit être fixée pour éviter la rotation de la tige filetée (B).
- 10) Attachez la bride de montage (D) et les pièces assemblées sur les planches de soutien de 2 x 4 po

avec des vis (C).

11) Vissez la rondelle de blocage (E1) et l'écrou hexagonal (G3) sur la tige filetée (B) et serrez-les contre le bas de la boîte de sortie.

12) Placez le support de fixation du luminaire (H) sur le bas de la tige filetée (B).

13) Placez la cosse de mise à la terre (F) et la rondelle de blocage (E2) sur la tige filetée (B) et fixez avec un écrou hexagonal (G4).

14) Attachez le support de fixation (H), là où c'est possible, sur une solive ou une poutrelle de plafond avec des vis (C).

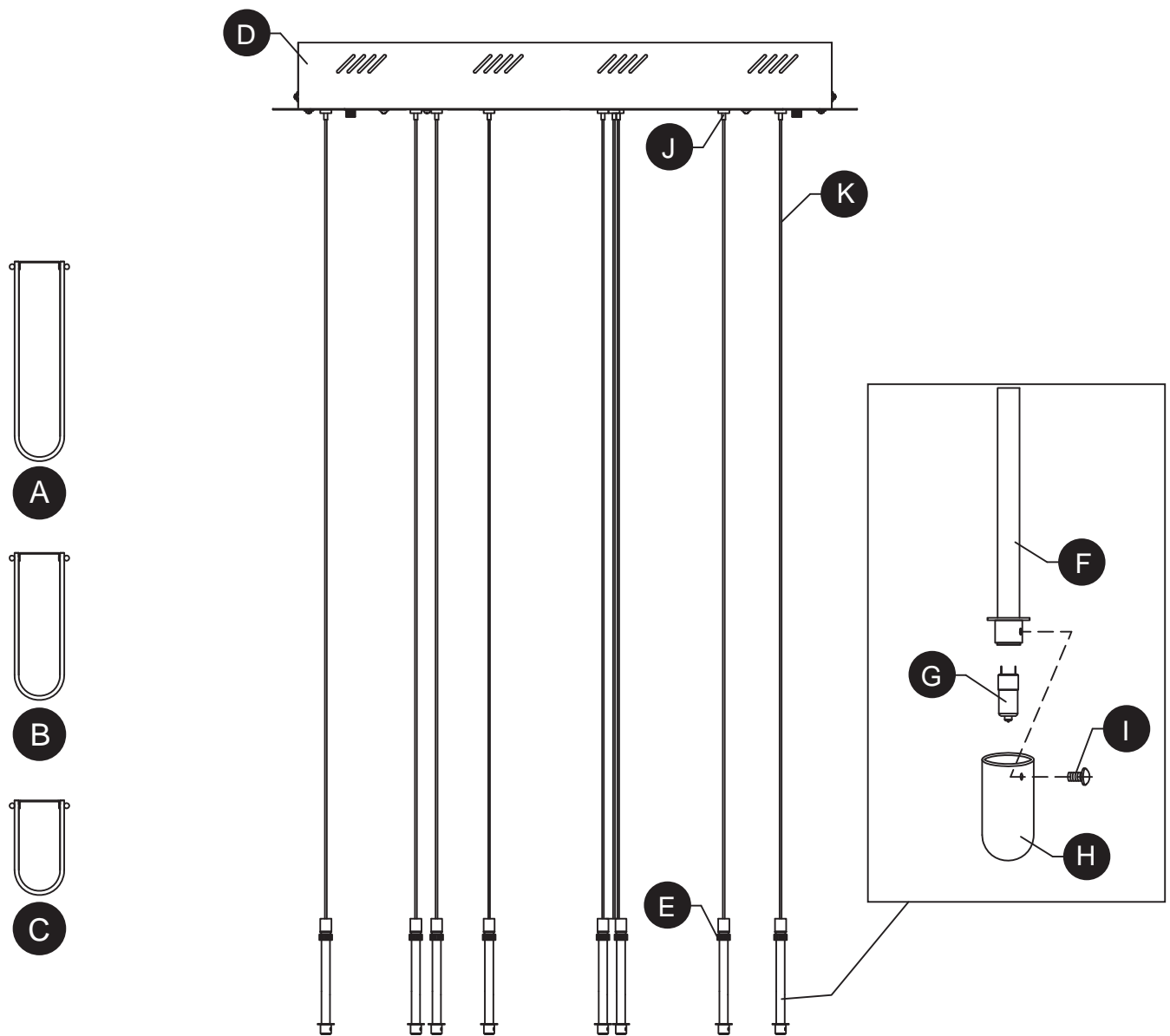
15) Suivez les instructions d'assemblage fournies avec le luminaire et revenez à l'étape 16 ci-dessous.

16) Faites passer le câble de sécurité (si fourni) à travers le trou vers la zone située au-dessus de la boîte de sortie, enroulez le câble autour du support de la boîte de sortie et tendez le câble. Fixez le câble avec (2) colliers fournis. Voir (illustration 2). **REMARQUE : Le câble ne doit pas être utilisé comme le seul moyen de soutien du luminaire. Veuillez suivre intégralement les instructions de montage fournies séparément.**

17) Connectez le fil de mise à la terre du luminaire et la cosse de mise à la terre (F) au fil de terre de la boîte de sortie à l'aide d'un capuchon de connexion. Ne connectez jamais le fil de mise à la terre aux fils d'alimentation électrique noir ou blanc.

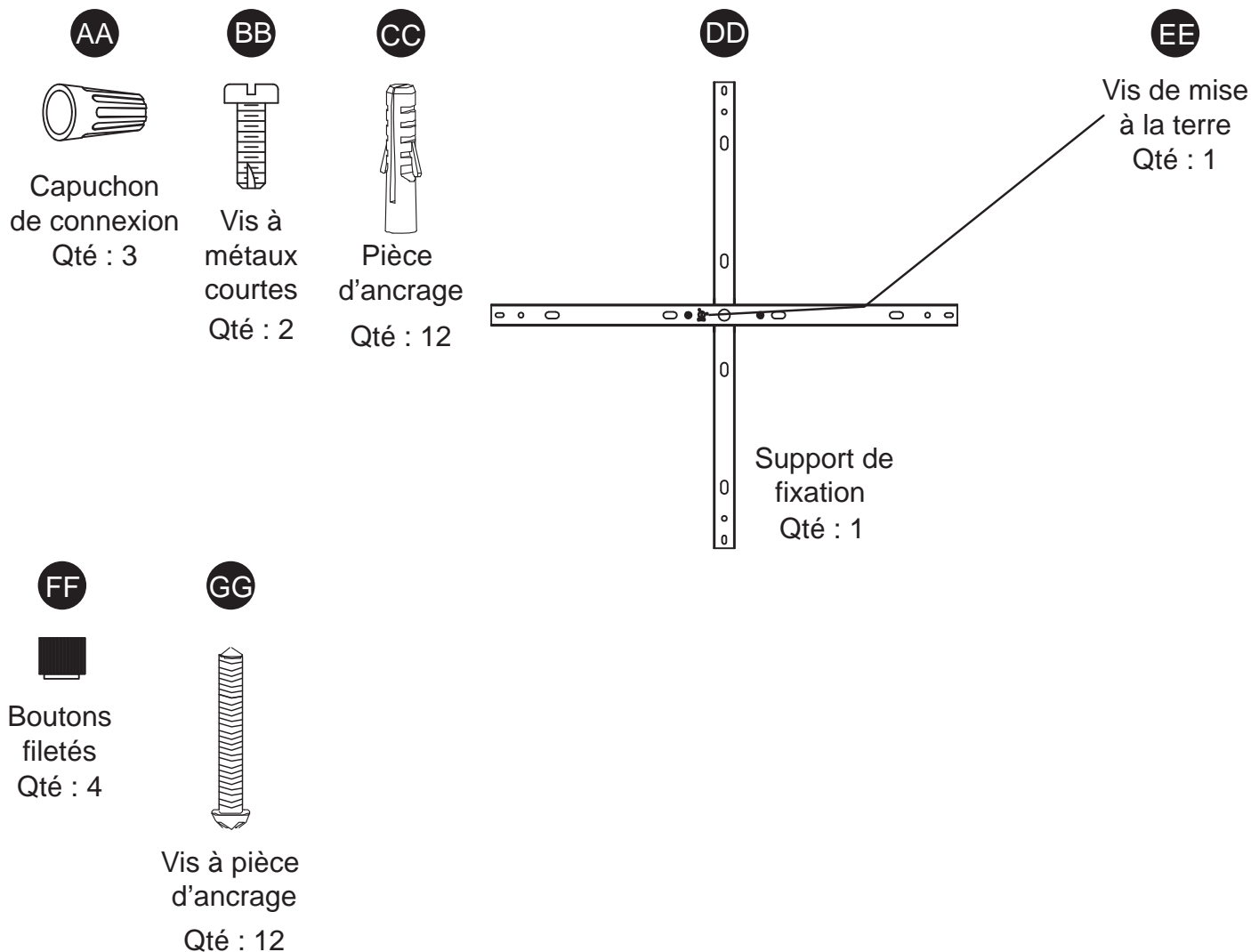
18) Réalisez les connexions (capuchons de connexion non fournis). Référez-vous à (l'illustration 3) pour réaliser correctement les connexions et câblez en conséquence.

# CONTENU DE L'EMBALLAGE



PIÈCE	DESCRIPTION	QUANTITÉ
A	Abat-jour en verre de 15 po (38 cm)	3
B	Abat-jour en verre de 11 po (28 cm)	6
C	Abat-jour en verre de 7 po (18 cm)	6
D	Pavillon	1
E	Écrou fileté	15
F	Ensemble de douille	15
G	Ampoule G4 de 20 watts	15
H	Cache-ampoule	15
I	Vis du cache-ampoule	15
J	Raccord à compression	15
K	Câble	15

## QUINCAILLERIE INCLUSE



## ! CONSIGNES DE SÉCURITÉ

Veillez vous assurer de lire et de comprendre l'intégralité du présent guide avant d'assembler, d'utiliser ou d'installer ce produit.

## ! AVERTISSEMENT

- **IMPORTANT** : NE tentez JAMAIS de travailler sans couper l'électricité.
- Accédez au panneau central de disjoncteurs ou de fusibles de votre demeure et placez l'interrupteur principal en position d'arrêt (« OFF »). Dévissez les fusibles ou placez en position d'arrêt (« OFF ») l'interrupteur des disjoncteurs qui alimentent le luminaire ou la pièce dans laquelle vous travaillez.
- Placez l'interrupteur mural en position d'arrêt (« OFF »). Si le luminaire à remplacer est doté d'un interrupteur à bouton ou à chaîne, placez-le en position d'arrêt (« OFF »).
- N'utilisez pas d'ampoules dont la puissance dépasse la puissance nominale indiquée sur ce luminaire.
- **AVERTISSEMENT** en vertu de la Proposition 65 de la Californie : Ce luminaire contient des produits chimiques reconnus par l'État de la Californie comme étant la cause de cancers, d'anomalies congénitales et d'autres problèmes liés aux fonctions reproductrices. Lavez-vous les mains après l'avoir manipulé.



### MISE EN GARDE

- Prenez soin de lire et de comprendre toutes les instructions avant de commencer l'assemblage et l'installation du luminaire.
- Si vous avez des doutes à propos de l'installation, ou si le luminaire ne fonctionne pas correctement, veuillez communiquer avec un électricien qualifié.
- Toutes les pièces doivent être utilisées tel qu'il est indiqué dans ces instructions. Ne remplacez pas les pièces, n'en laissez pas de côté et ne les utilisez pas si elles sont usées ou brisées. Le non-respect de ces instructions peut annuler l'homologation ETL ou CSA du luminaire.

### PRÉPARATION

Avant de commencer l'assemblage du produit, assurez-vous d'avoir toutes les pièces. Comparez les pièces dans l'emballage avec la liste du contenu. S'il y a des pièces manquantes ou endommagées, ne tentez pas d'assembler le produit.

#### Temps d'assemblage approximatif : de 30 à 60 minutes

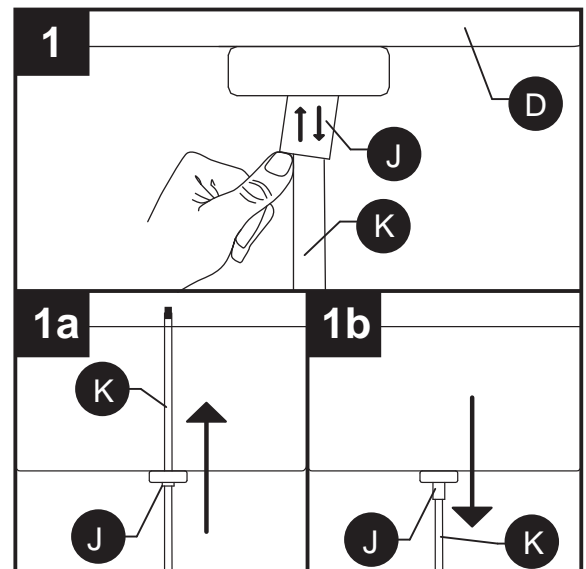
Outils requis pour l'assemblage (non fournis) : tournevis cruciforme, tournevis à tête plate, pinces à dénuder, ruban isolant, échelle, lunettes de sécurité, perceuse et foret de 9/32 po.

### INSTRUCTIONS POUR L'ASSEMBLAGE

**AVERTISSEMENT : Ce luminaire pèse plus de 50 lb (22 kg) et doit être installé en utilisant une boîte de sortie homologuée UL jusqu'à 100 lb (45 kg). En l'absence d'une telle boîte de sortie, ce luminaire doit être monté indépendamment de la boîte de sortie existante. Le matériel d'installation et les instructions sont fournis pour les deux cas. Suivez les étapes des instructions supplémentaires pour le montage des luminaires lourds avant de continuer en suivant les instructions spécifiques à ce luminaire.**

1. La longueur du câble de suspension (K) de ce luminaire est réglable. Maintenez le pavillon (D) du luminaire contre le plafond pour déterminer la longueur désirée avant l'assemblage complet du luminaire.

Le câble (K) est maintenu en place par un raccord à compression (J). Poussez vers le haut et maintenez le tube à ressort du raccord (J) pour libérer le câble (K) et permettre le réglage.



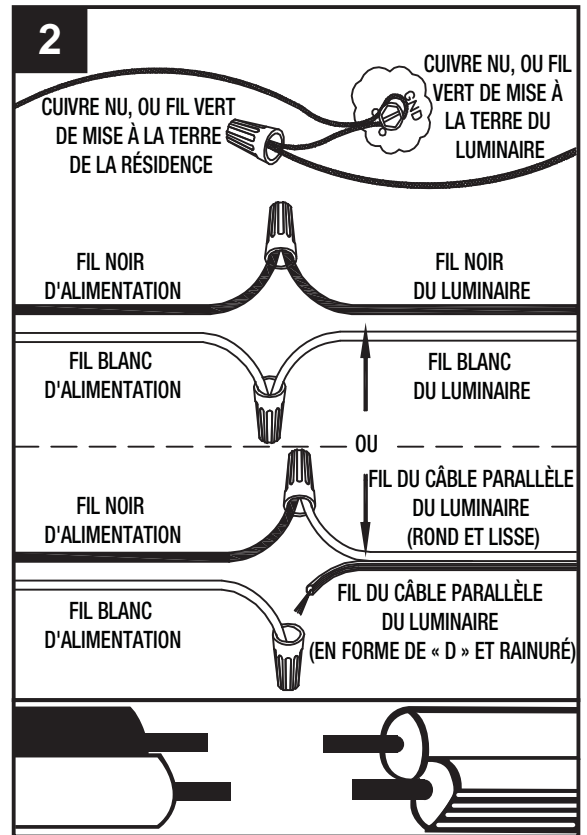
## 2. Guide de raccordement électrique

Fil de mise à la terre :

- Pour une installation aux États-Unis : enroulez le fil de mise à la terre provenant de la boîte de sortie autour de la vis de mise à la terre (EE) située sur le support de fixation (DD), à au moins 5 cm (2 po) de l'extrémité du fil. Serrez la vis de mise à la terre (EE). Si le luminaire est fourni avec un fil de mise à la terre, raccordez-le au fil de mise à la terre de la boîte de sortie à l'aide d'un connecteur de fils (AA).
- Pour une installation au Canada : si le luminaire est fourni avec un fil de mise à la terre, enroulez-le autour de la vis de mise à la terre (EE) située sur le support de fixation (DD). Serrez la vis de mise à la terre (EE).

Fils d'alimentation :

- Connectez le fil neutre d'alimentation (blanc) provenant de la boîte de sortie au fil neutre du luminaire (fil blanc ou fil parallèle en forme de « D » et rainuré).
- Connectez le fil d'alimentation chargé (noir) provenant de la boîte de sortie au fil du luminaire (fil noir ou fil parallèle, rond et lisse).



### REMARQUE :

Le luminaire aura soit 2 fils (1 noir et 1 blanc), soit un câble parallèle SPT-2 de luminaire composé d'un fil rond et lisse et un fil rainuré en forme de « D ».

### Quincaillerie utilisée

**AA** Capuchon de connexion

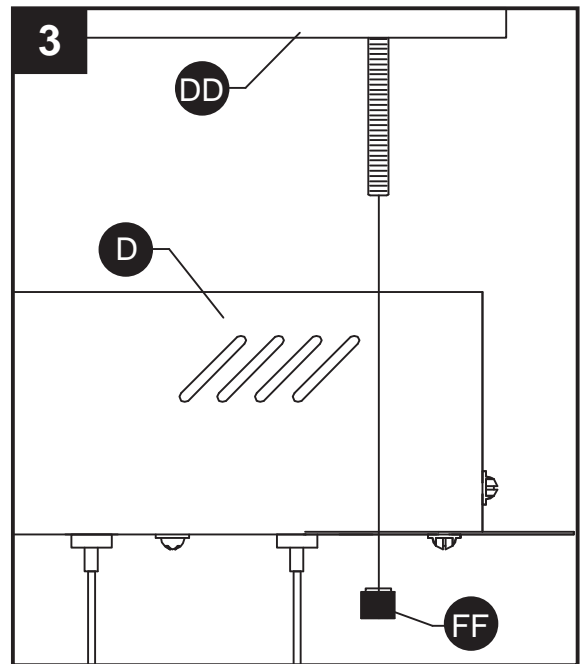


x 3

3. Fixez le pavillon (A) au support de fixation (DD) à l'aide des boutons filetés (FF).

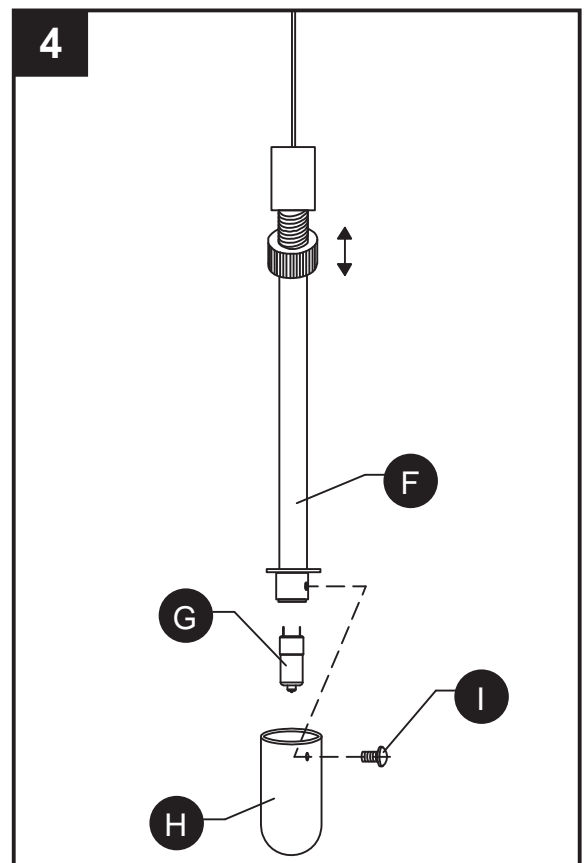
## Quincaillerie utilisée

**FF** Boutons filetés  x 4



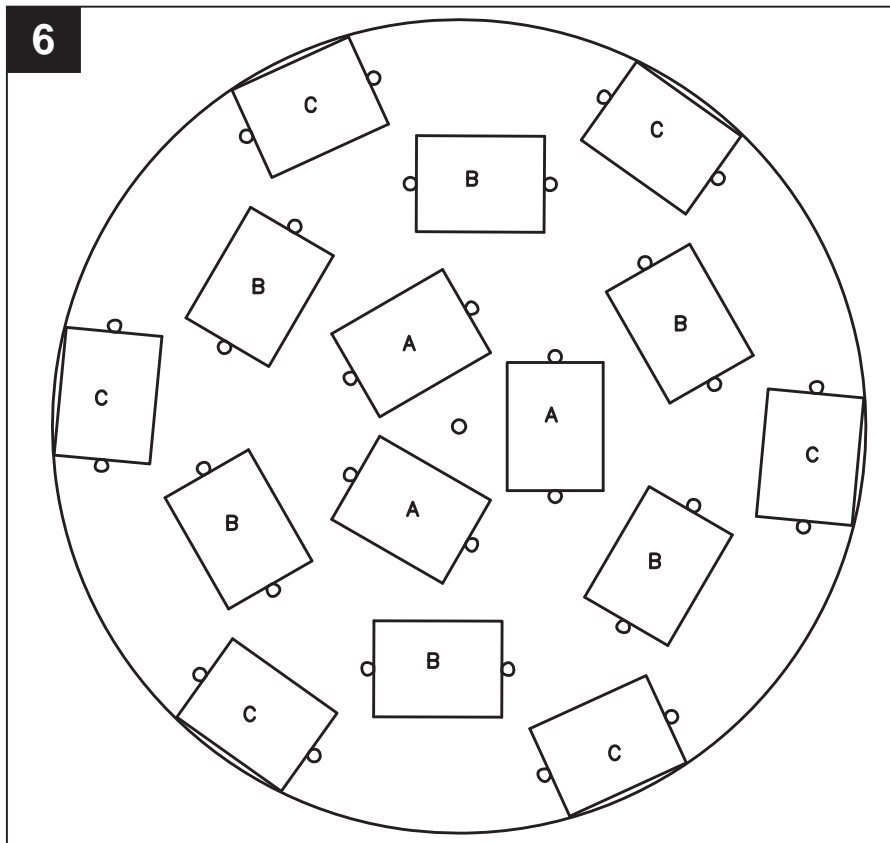
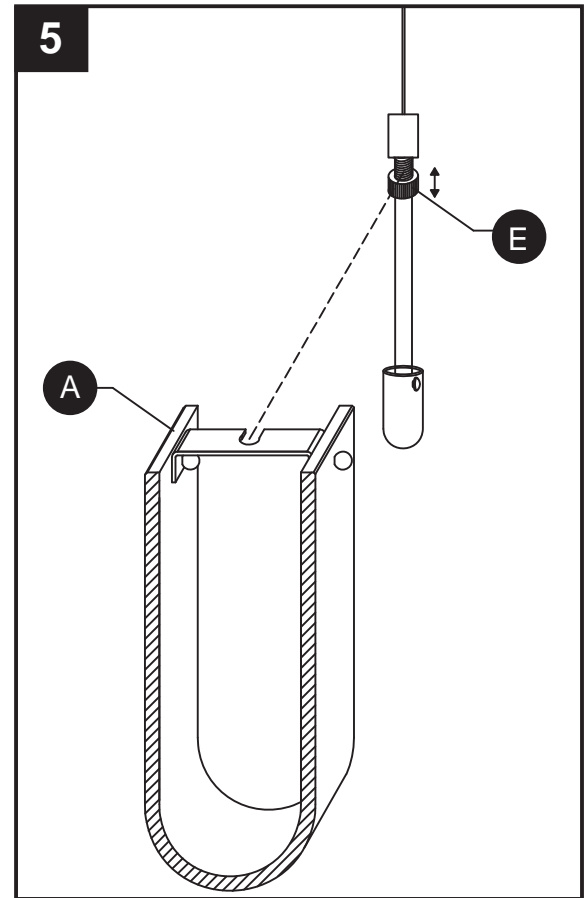
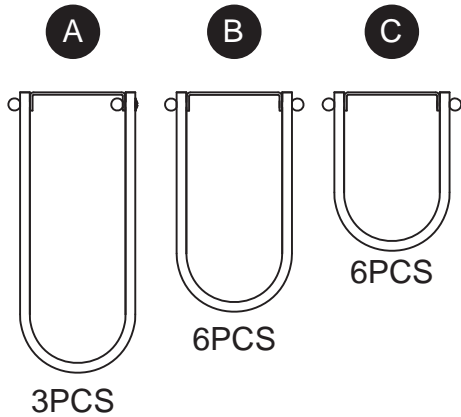
4. Insérez une ampoule G4 de 20 watts max. (G) dans l'ensemble de douille (F). Faites glisser le cache-ampoule (H) sur l'ensemble de douille (F) et fixez à l'aide de la vis du cache-ampoule (I).

Remarque : Ne touchez jamais une ampoule halogène avec votre peau nue, même lorsque vous retirez l'ampoule de son emballage avant de l'installer. Les huiles que contient votre peau raccourciraient considérablement la durée de vie de l'ampoule.



## ASSEMBLY INSTRUCTIONS

5. Abaissez l'écrou fileté (E). Placez l'abat-jour en verre (A) sur la tige filetée au-dessus de l'écrou fileté (E). Serrez l'écrou fileté (E) pour fixer l'abat-jour. Assurez-vous de commencer par l'abat-jour en verre central et progressez ensuite vers l'extérieur.



6. Les éléments en verre seront marqués d'une lettre. Attachez chaque élément en verre marqué d'une lettre sur la lettre correspondante située sur le pavillon.



## ENTRETIEN

---

- Vérifiez toujours que le courant est coupé avant de nettoyer le luminaire.
- Utilisez un linge doux et humide ainsi qu'un savon non abrasif. N'utilisez jamais de nettoyeurs pour vitres; vous risqueriez d'endommager le fini métallique du luminaire.
- Les abat-jour en verre peuvent être nettoyés dans un évier couvert de serviettes, à l'aide d'eau tiède et de savon doux. Ne nettoyez pas les abat-jour dans un lave-vaisselle.

## DÉPANNAGE

---

PROBLÈME	CAUSE POSSIBLE	MESURE CORRECTIVE
Le luminaire ne s'allume pas.	1. Le luminaire est mal branché. 2. L'ampoule est usée ou brisée.	1. Vérifiez si le luminaire est bien branché. 2. Remplacez l'ampoule.

## GARANTIE

---

Le distributeur garantit les produits qu'il a fabriqués contre tout défaut de matériaux ou de fabrication pour une période de un (1) an à compter de la date d'expédition. Cette garantie ne couvre pas les ampoules ni le fini des produits extérieurs. Si l'un des produits garantis est déclaré défectueux par le distributeur, celui-ci choisira de remplacer ou de réparer le produit à ses frais. Les parties acceptent expressément par la présente que le seul recours de l'acheteur contre le distributeur se limite à la réparation ou au remplacement des produits défectueux, tel qu'il est stipulé aux présentes, ou, à sa seule discrétion, le distributeur peut choisir de rembourser le prix d'achat des produits. LA GARANTIE SUSMENTIONNÉE PRÉVAUT SUR TOUTE AUTRE GARANTIE, QU'ELLE SOIT EXPRESSE OU IMPLICITE, Y COMPRIS TOUTE GARANTIE DE QUALITÉ MARCHANDE, D'ADÉQUATION À UN USAGE PARTICULIER OU DE NON-CONTREFAÇON. Aucune affirmation de la part du distributeur, qu'elle se traduise en mots ou en action, ne constitue une garantie si elle n'est pas stipulée dans ce paragraphe. Les articles qui sont vendus par le distributeur sans toutefois avoir été fabriqués par le distributeur ne sont pas couverts par cette garantie. Ils sont vendus avec les garanties fournies par le fabricant seulement, le cas échéant. Cette garantie ne couvre pas la main-d'œuvre ni les coûts et dépenses associés au retrait ou à l'installation d'un produit défectueux, réparé ou remplacé. La garantie du distributeur ne couvre pas les produits qui ont été soumis à un usage inapproprié, à une manipulation inadéquate, à une négligence (y compris, sans toutefois s'y limiter, à un entretien inadéquat), à un accident, à une installation inadéquate, à une modification (y compris, sans toutefois s'y limiter, à l'utilisation de pièces et d'accessoires non autorisés), à un réglage ou à une réparation.

## LISTE DES PIÈCES DE RECHANGE

Pour obtenir des pièces de rechange, appelez notre service à la clientèle au 1 855 226-7169, entre 8 h et 16 h (HNE), du lundi au vendredi.

PIÈCE	DESCRIPTION	N° DE PIÈCE
A	Abat-jour en verre de 15 po	15GLASS
B	Abat-jour en verre de 11 po	11GLASS
C	Abat-jour en verre de 7 po	7GLASS
H	Cache-ampoule	BC83094
I	Vis du cache-ampoule	BCS83094
AA	Capuchon de connexion	WC001
BB	Vis à métaux courtes	SCR832X050
CC	Vis du pavillon	SC83094
DD	Support de fixation	XBAR83094
FF	Pièce d'ancrage	A83094
GG	Vis à pièce d'ancrage	AS83094

